

Low voltage current transformer

An extensive range for varied measurement needs with quality that is "Secure"



Quality Wide range

A comprehensive range of reliable and accurate current transformers (CTs) for low-voltage industrial, commercial and residential metering applications. CT range is an essential component of the AC measurement system, designed to work optimally with panel instruments, transducers and energy meters. These CTs are made following stringent plant quality assurance procedures, which fully comply with applicable standards (IEC: 61869-2). The range includes CTs for primary current from 30 A to 4000 A and secondary current of 5 A/1 A.



Applications

- Control panels, drives and switchboards
- Motor control centres
- Power control centres
- For mounting on busbars and transforming various primary current into 5 A or 1 A secondary standard

Benefits

- Dual terminal for fixing CT shorting link
- Finger safe terminal cover for preventing accidental shock
- Easy to mount
- Protection class IP-20
- Flame Retardant Polycarbonate (as per UL 94 V0)

Features

- Wide range of system current ratings, bus bar sizes, case widths and apertures
- Various mounting options like wall mounting, cable mounting, bus bar mounting, etc.
- Wire sealable terminal covers
- Hinged terminal covers
- Terminal with M4 screw, with dual connection facility, giving access from both sides of transformers
- Second pair of terminal can be used for shorting of CT before disconnection

Low voltage current transformer

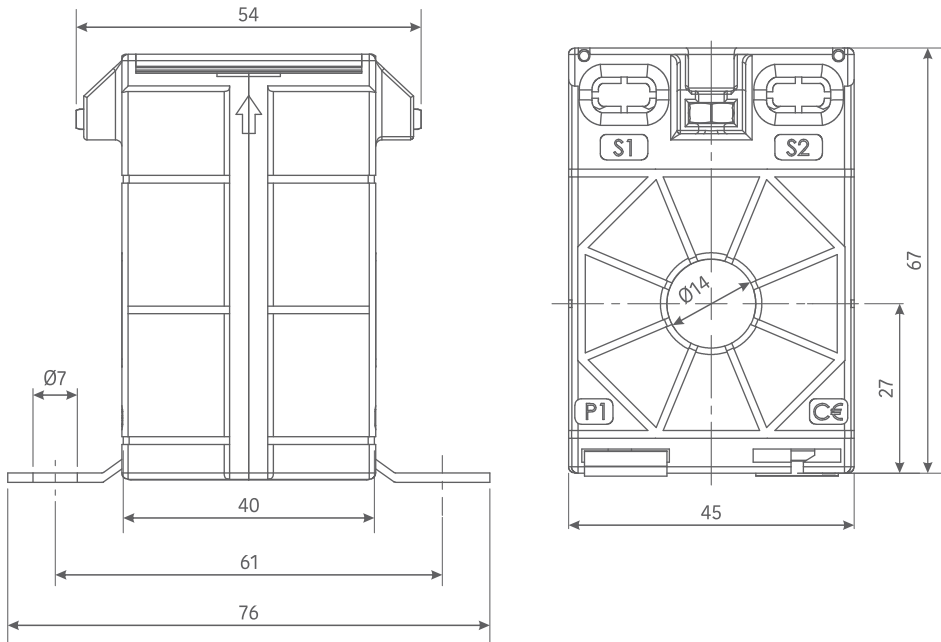
Technical specifications

Applicable standard	IEC-61869-1&2
Case	Polycarbonate, flame retardant grades classified UL 94V-0
Connection	Two connections on each side with M4 screws, up to 4 sqmm lug
Insulation class	E
System voltage	720 V maximum
Rated insulation level	3KV 50 Hz for 1 min
Operating frequency	50 Hz
Rated primary rating	30 A to 4000 A
Rated secondary output	5 A / 1 A
Rated burden (VA)	1, 1.25, 1.5, 2.5, 3.75, 5, 7.5, 10, 12.5, 15, 20, 30, 45, 60
Class of accuracy	0.2, 0.2S, 0.5, 0.5S for laboratory/power measurement & Revenue grade metering, 1 for general measurement
Ambient temperature	-5° C to +50° C
Storage temperature	-50° C to +80° C
Constant thermal current (I_{cth})	1.2 *I _n
Thermal short circuit current (I_{th})	60 x I _n /1 s (Max 100kA/1 s)
Dynamic short circuit current (I_{dyn})	2.5 x I _{th}
Instrument security factor (FS)	2.5, 5, 10



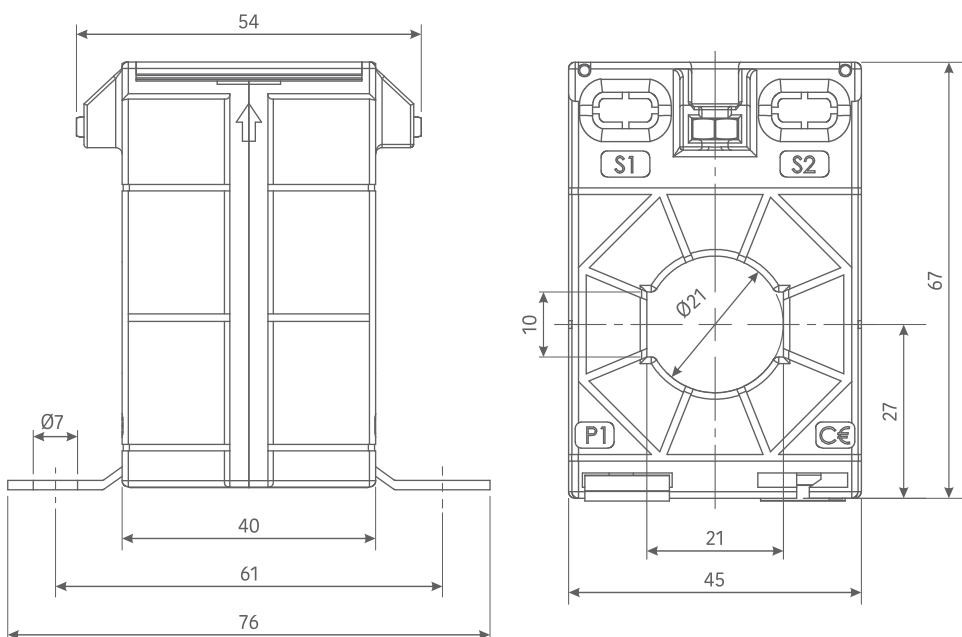
MCT 45 series

MCT 45-14 (40)



Primary current	MCT 45-14 (40)	
	Accuracy	
	0.5	1.0
30A	-	1VA
40A	-	1VA
50A	-	1.5VA
60A	-	1.5VA
75A	1.5VA	2.5VA
80A	1.5VA	2.5VA
100A	1.5VA	3.75VA
120A	2.5VA	3.75VA
125A	2.5VA	3.75VA
150A	2.5VA	5VA
200A	3.75VA	7.5VA
250A	5VA	7.5VA
300A	5VA	10VA

MCT 45-21 (40)



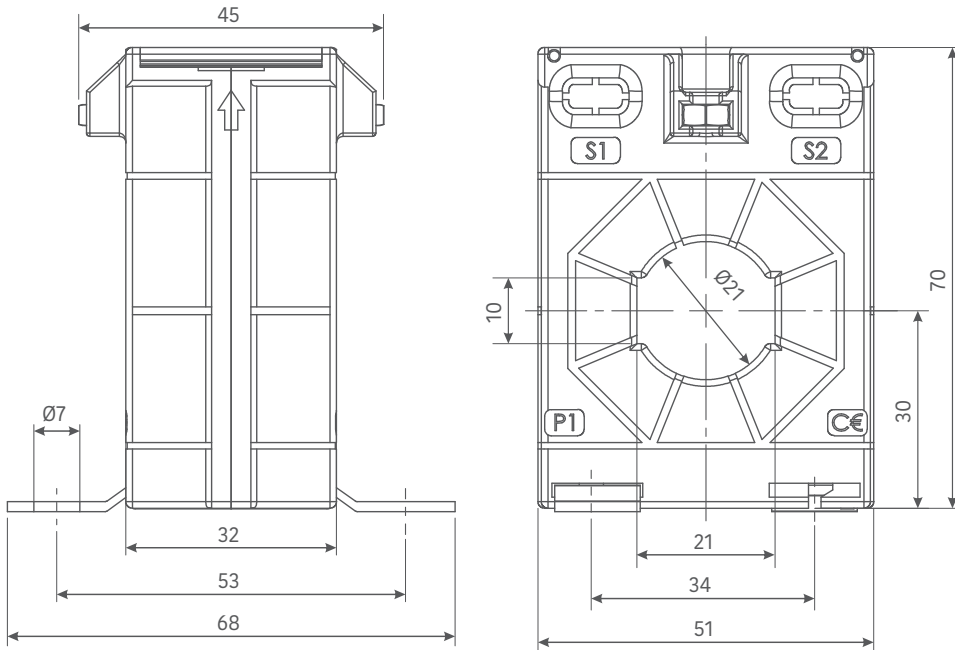
Primary current	MCT 45-21 (40)	
	Accuracy	
	0.5	1.0
50A	-	1.5VA
60A	-	1.5VA
75A	-	2.5VA
80A	1VA	2.5VA
100A	1.5VA	3.75VA
120A	1.5VA	3.75VA
125A	2.5VA	3.75VA
150A	2.5VA	5VA
200A	3.75VA	5VA
250A	5VA	5VA
300A	5VA	5VA
400A	5VA	5VA

All dimensions are in mm

Low voltage current transformer

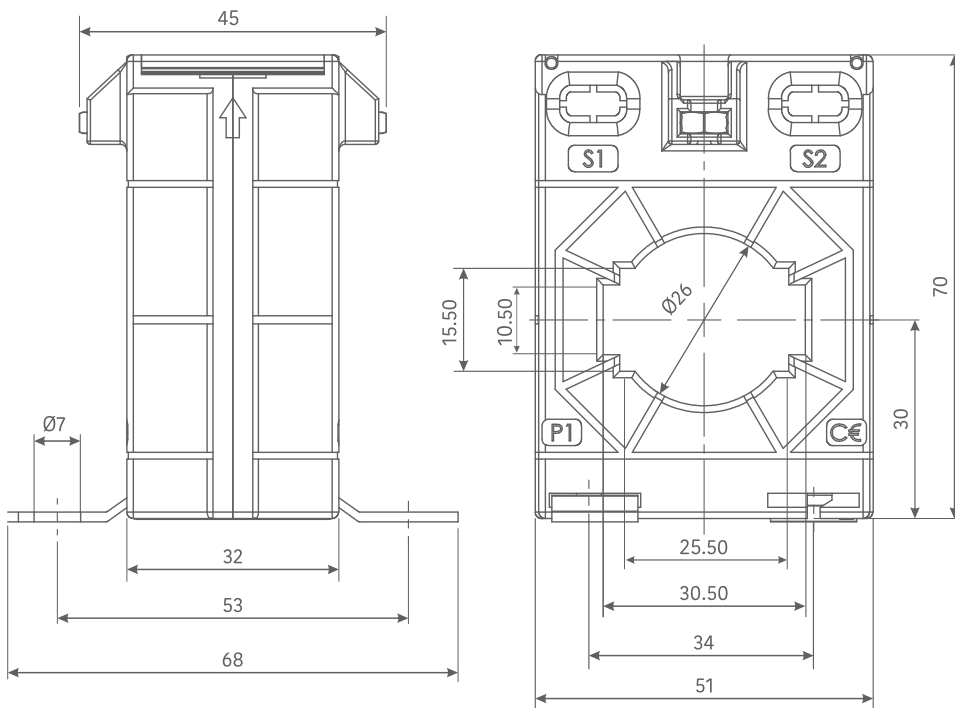
MCT 50 series

MCT 50-21 (30)



Primary current	MCT 50-21 (30)	
	Accuracy	
	0.5	1.0
50A	-	1VA
60A	-	1VA
75A	-	1.5VA
80A	1VA	2.5VA
100A	1.5VA	2.5VA
120A	2.5VA	2.5VA
125A	2.5VA	3.75VA
150A	2.5VA	5VA
200A	3.75VA	5VA
250A	5VA	5VA
300A	5VA	7.5VA
400A	5VA	7.5VA

MCT 50-30 (30)

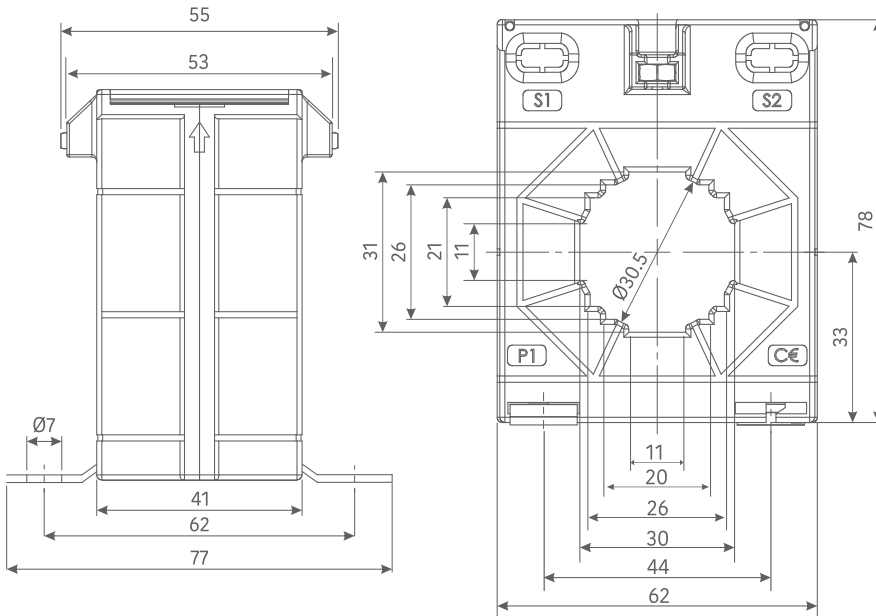


Primary current	MCT 50-30 (30)	
	Accuracy	
	0.5	1.0
75A	-	1VA
80A	-	1.5VA
100A	1VA	2.5VA
120A	1VA	2.5VA
125A	1VA	2.5VA
150A	2.5VA	3.75VA
200A	2.5VA	5VA
250A	5VA	5VA
300A	5VA	5VA
400A	5VA	6.25VA
500A	5VA	6.25VA
600A	5VA	7.5VA



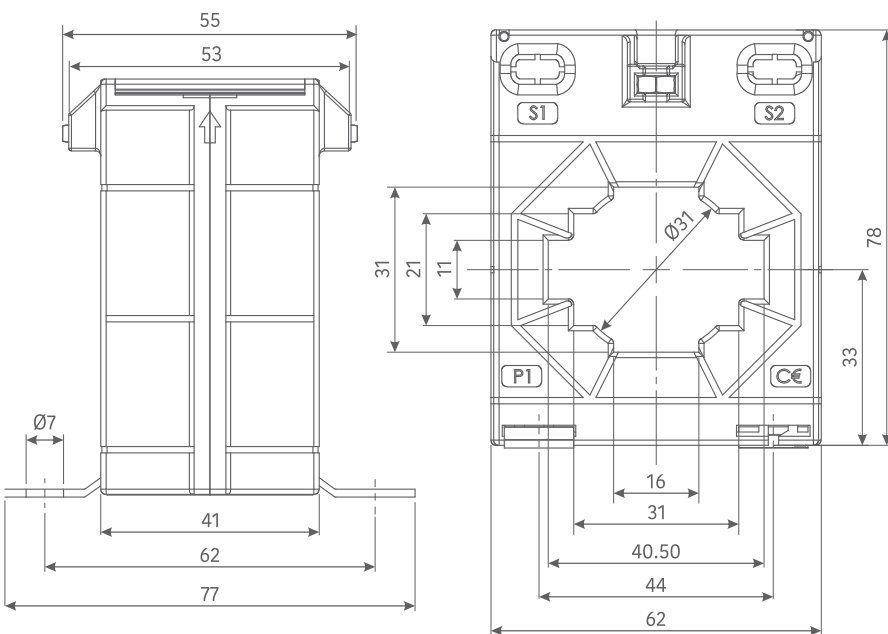
MCT 62 series

MCT 62-30 (40)



Primary current	MCT 62-30 (40)			
	Accuracy			
	0.2S/0.5S	0.2	0.5	1.0
50A	-	-	-	1.25VA
60A	-	-	-	1.5VA
75A	-	-	-	2.5VA
80A	-	-	-	2VA
100A	1VA	1VA	1.5VA	3.75VA
120A	1VA	1VA	2.5VA	3.75VA
125A	1VA	1VA	2.5VA	3.75VA
150A	2.5VA	1.5VA	3.75VA	7.5VA
200A	5VA	3.75VA	5VA	10VA
250A	5VA	5VA	5VA	10VA
300A	5VA	3.75VA	10VA	15VA
400A	5VA	10VA	12.5VA	15VA
500A	5VA	10VA	12.5VA	15VA
600A	7.5VA	10VA	15VA	20VA
750A	10VA	10VA	15VA	15VA
800A	10VA	10VA	15VA	15VA

MCT 62-40 (40)

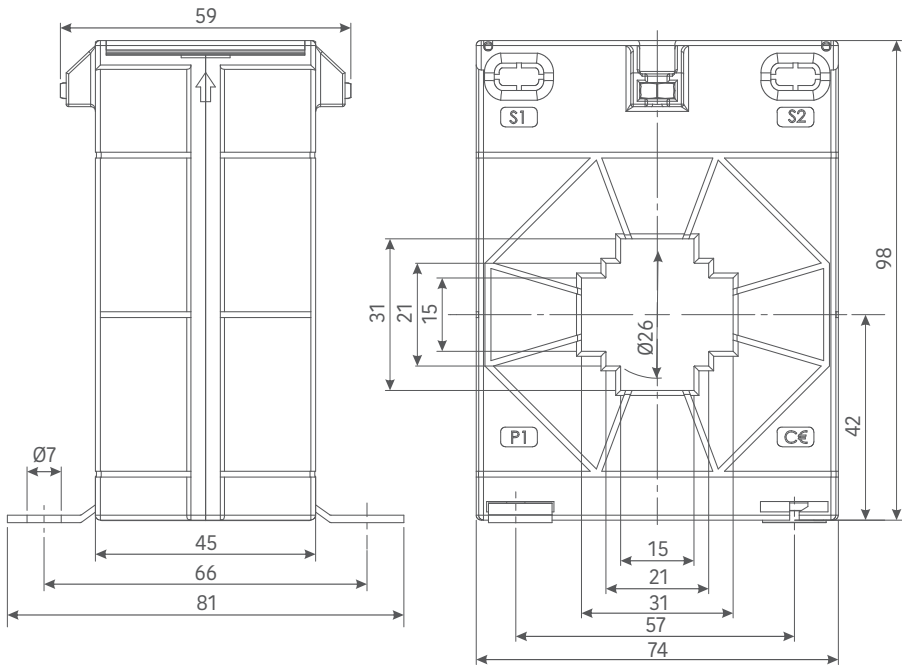


Primary current	MCT 62-40 (40)			
	Accuracy			
	0.2S/0.5S	0.2	0.5	1.0
100A	-	-	-	1.5VA
120A	-	-	-	1.5VA
125A	-	-	-	1.5VA
150A	-	-	-	2.5VA
200A	1VA	1VA	1.5VA	3.75VA
250A	1.5VA	1.5VA	2.5VA	5VA
300A	1.5VA	1.5VA	5VA	5VA
400A	2.5VA	2.5VA	5VA	5VA
500A	2.5VA	5VA	5VA	7.5VA
600A	2.5VA	7.5VA	7.5VA	10VA
750A	5VA	10VA	10VA	10VA
800A	5VA	10VA	10VA	10VA

Low voltage current transformer

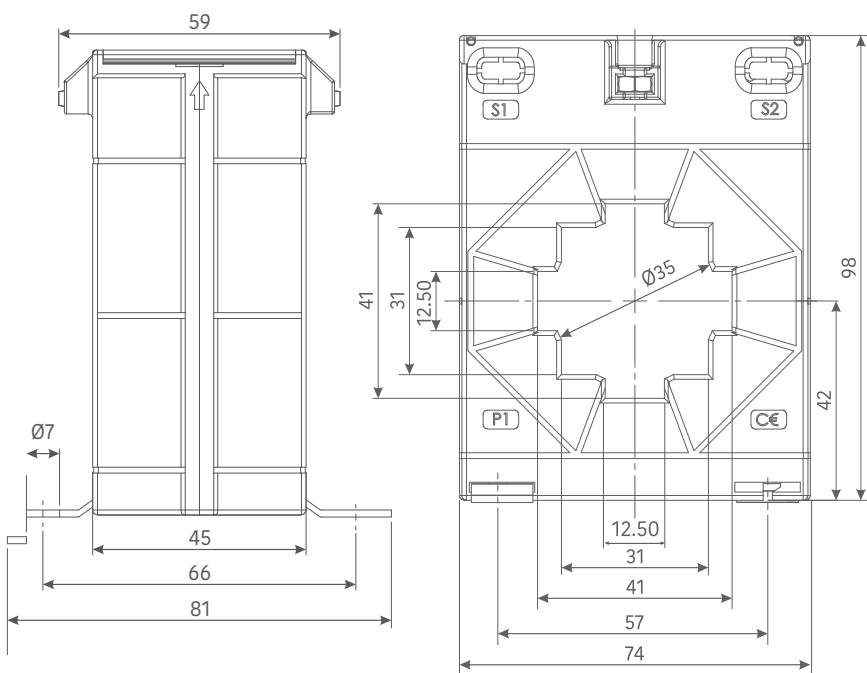
MCT 74 series

MCT 74-30 (45)



Primary current	MCT 74-30 (45)			
	Accuracy			
	0.2S/0.5S	0.2	0.5	1.0
40A	-	-	-	1.5VA
50A	-	-	-	1.5VA
60A	-	-	-	2.5VA
75A	-	-	1.5VA	2.5VA
80A	-	-	1.5VA	3.75VA
100A	1.5VA	1.5VA	2.5VA	5VA
120A	1.5VA	1.5VA	2.5VA	5VA
125A	1.5VA	1.5VA	2.5VA	5VA
150A	1.5VA	1.5VA	5VA	7.5VA
200A	2.5VA	2.5VA	10VA	15VA
250A	2.5VA	2.5VA	10VA	15VA
300A	2.5VA	5VA	10VA	15VA
400A	5VA	7.5VA	15VA	20VA
500A	5VA	10VA	15VA	20VA
600A	5VA	15VA	15VA	20VA
750A	7.5VA	20VA	20VA	30VA
800A	10VA	30VA	30VA	30VA

MCT 74-40 (45)

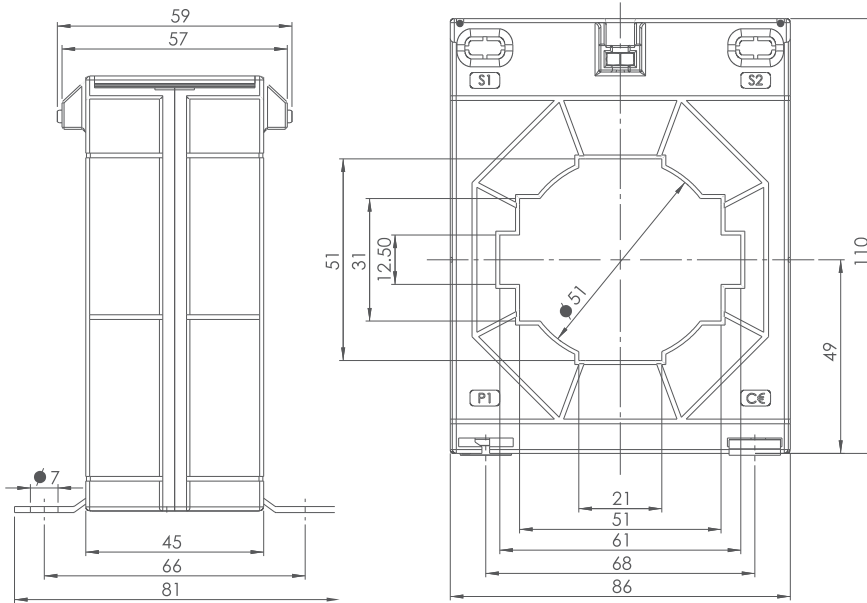


Primary current	MCT 74-40 (45)			
	Accuracy			
	0.2S/0.5S	0.2	0.5	1.0
40A	-	-	-	1VA
50A	-	-	-	1.5VA
60A	-	-	-	1.5VA
75A	-	-	-	2.5VA
80A	-	-	-	2.5VA
100A	1VA	-	1.5VA	3.75VA
120A	1VA	-	1.5VA	2.5VA
125A	1VA	-	1.5VA	2.5VA
150A	1.5VA	1VA	3.75VA	5VA
200A	2.5VA	2.5VA	5VA	10VA
250A	5VA	3.75VA	5VA	10VA
300A	5VA	5VA	10VA	15VA
400A	5VA	10VA	10VA	15VA
500A	5VA	10VA	15VA	20VA
600A	5VA	15VA	15VA	20VA
750A	5VA	15VA	15VA	20VA
800A	7.5VA	15VA	15VA	20VA
1000A	10VA	15VA	15VA	20VA



MCT 86 series

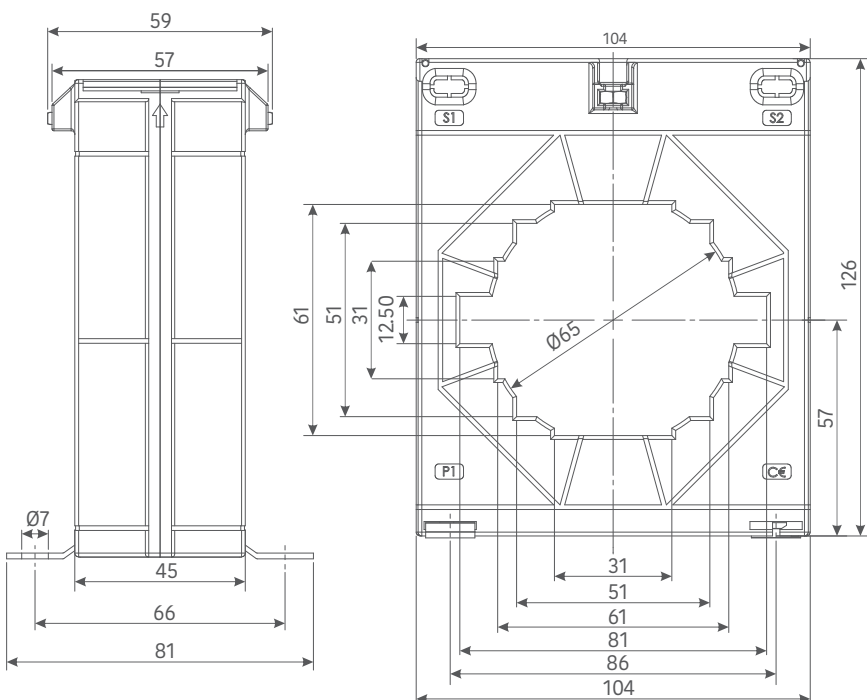
MCT 86-60 (45)



Primary current	MCT 86-60 (45)			
	Accuracy			
	0.2S/0.5S	0.2	0.5	1.0
100A	-	-	-	1VA
120A	-	-	-	1.5VA
125A	-	-	-	2.5VA
150A	-	-	-	2.5VA
200A	-	-	1.5VA	3.75VA
250A	-	-	2.5VA	5VA
300A	1.5VA	1.5VA	5VA	7.5VA
400A	2.5VA	2.5VA	10VA	12.5VA
500A	2.5VA	3.75VA	10VA	15VA
600A	5VA	5VA	15VA	15VA
750A	5VA	10VA	15VA	20VA
800A	7.5VA	12.5VA	20VA	20VA
1000A	10VA	15VA	20VA	30VA
1200A	10VA	15VA	20VA	30VA
1250A	10VA	15VA	20VA	20VA
1500A	10VA	15VA	20VA	20VA
1600A	10VA	15VA	20VA	20VA

MCT 104 series

MCT 104-80 (45)



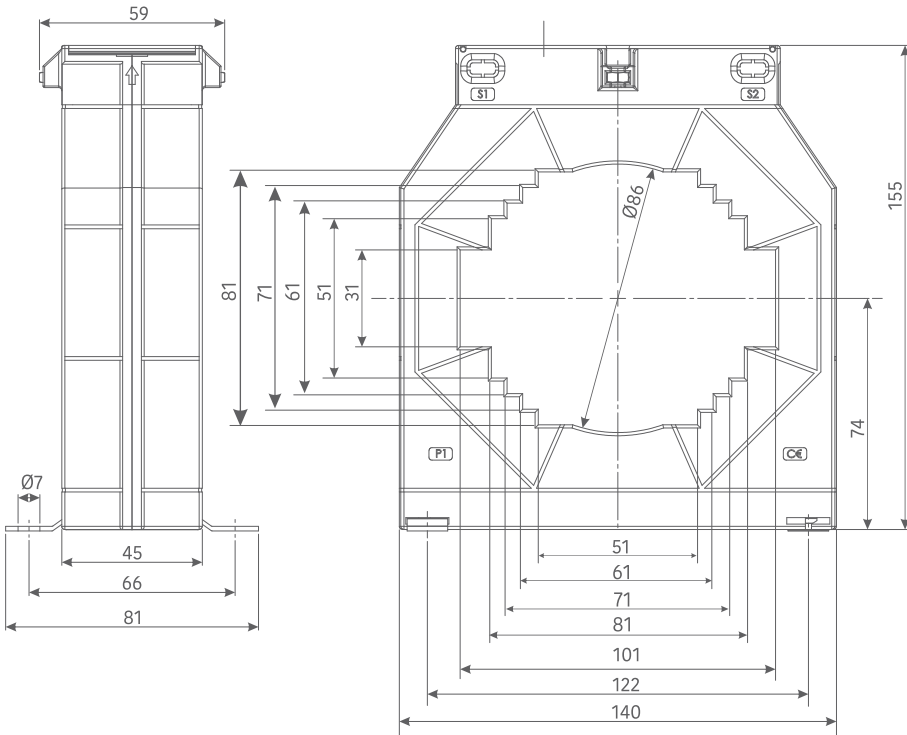
Primary current	MCT 104-80 (45)			
	Accuracy			
	0.2S/0.5S	0.2	0.5	1.0
200A	-	-	-	1.5VA
250A	-	-	1.5VA	2.5VA
300A	-	-	2.5VA	7.5VA
400A	-	1.5VA	7.5VA	10VA
500A	-	5VA	10VA	10VA
600A	3.75VA	5VA	10VA	12.5VA
750A	5VA	5VA	15VA	15VA
800A	5VA	7.5VA	15VA	15VA
1000A	15VA	12.5VA	20VA	30VA
1200A	15VA	15VA	20VA	30VA
1250A	15VA	15VA	20VA	30VA
1500A	15VA	15VA	20VA	30VA
1600A	10VA	15VA	20VA	30VA
2000A	10VA	15VA	20VA	30VA

Low voltage current transformer



MCT 140 series

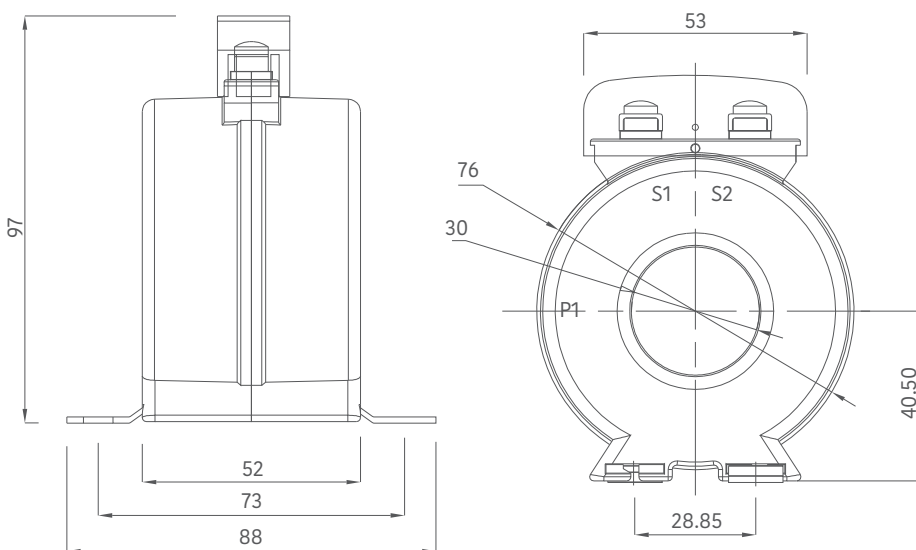
MCT 140-100H (45)



Primary current	MCT 140-100H (45)			
	Accuracy			
	0.2S/0.5S	0.2	0.5	1.0
200A	-	-	1.5VA	3.75VA
250A	-	-	2.5VA	5VA
300A	-	-	3.75VA	7.5VA
400A	-	1.5VA	7.5VA	10VA
500A	-	2.5VA	10VA	12.5VA
600A	2.5VA	3.75VA	10VA	15VA
750A	5VA	5VA	15VA	20VA
800A	5VA	5VA	15VA	20VA
1000A	5VA	10VA	15VA	20VA
1200A	10VA	15VA	15VA	30VA
1250A	10VA	15VA	15VA	30VA
1500A	15VA	20VA	20VA	30VA
1600A	15VA	20VA	20VA	45VA
2000A	15VA	30VA	45VA	45VA
2500A	15VA	30VA	45VA	45VA
3000A	15VA	30VA	60VA	60VA
4000A	15VA	30VA	60VA	60VA

TW CT series

TW CT 75-30(52)

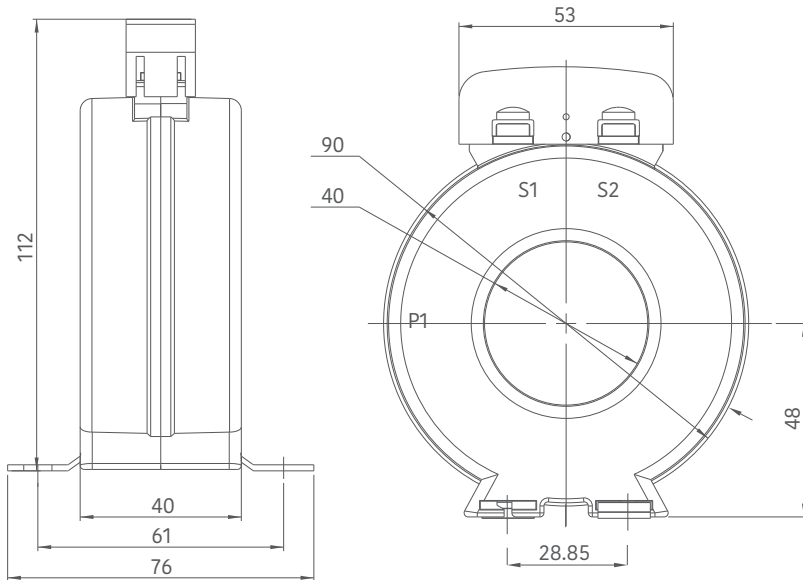


Primary current	TW CT 75-30(52)			
	Accuracy class			
	0.2	0.5s	0.5	1.0
50A	-	-	-	1.5VA
60A	-	-	-	1.5VA
75A	-	-	1.5VA	2.5VA
100A	-	-	2.5VA	5VA
120A	-	-	2.5VA	5VA
125A	-	-	2.5VA	5VA
150A	-	2.5VA	5VA	10VA
200A	2.5VA	5VA	10VA	15VA

Low voltage current transformer

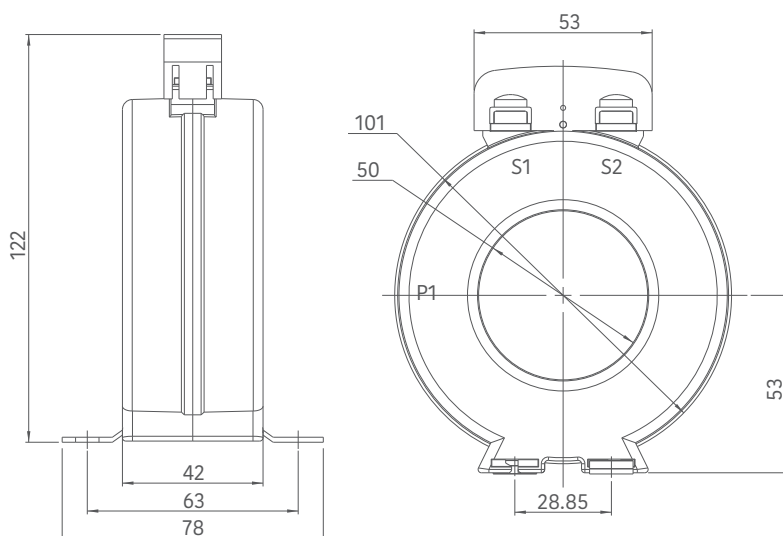


TW CT 90-40(40)



Primary current	TW CT 90-40(40)			
	Accuracy class			
	0.2	0.5s	0.5	1.0
50A	-	-	-	-
60A	-	-	-	-
75A	-	-	-	1VA
80A	-	-	-	1.5VA
100A	-	-	1VA	2.5VA
120A	-	-	1VA	2.5VA
125A	-	-	1VA	2.5VA
150A	-	-	1.5VA	3.75A
200A	1.5VA	5VA	5VA	10VA
250A	2.5VA	7.5VA	7.5VA	15VA
300A	3.75VA	10VA	10VA	20VA

TW CT 100-50(42)

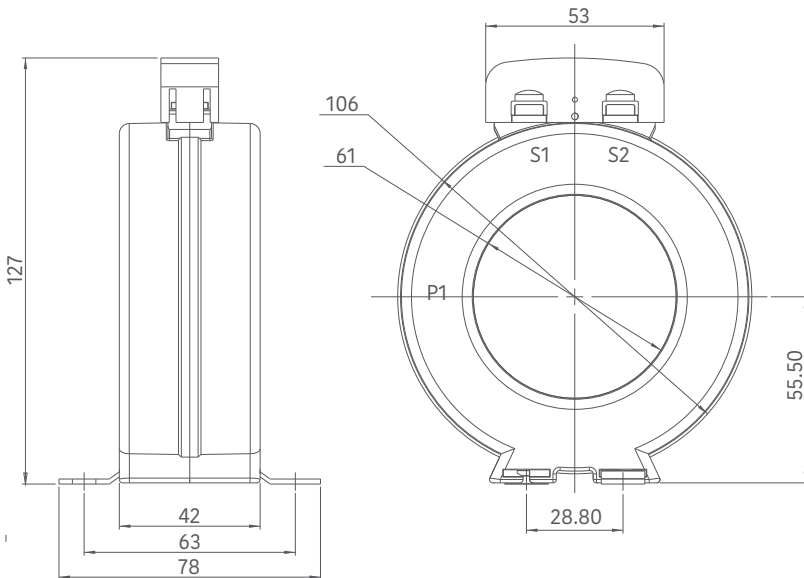


Primary current	TW CT 100-50(42)			
	Accuracy class			
	0.2	0.5s	0.5	1.0
120A	-	-	-	1VA
125A	-	-	-	1.5VA
150A	-	-	1.5VA	2.5VA
200A	-	1.5VA	3.75VA	5VA
250A	1.5VA	2.5VA	5VA	7.5VA
300A	1.5VA	2.5VA	5VA	7.5VA
400A	2.5VA	5VA	7.5VA	10VA
500A	3.75VA	5VA	10VA	15VA
600A	3.75VA	7.5VA	10VA	15VA

Low voltage current transformer

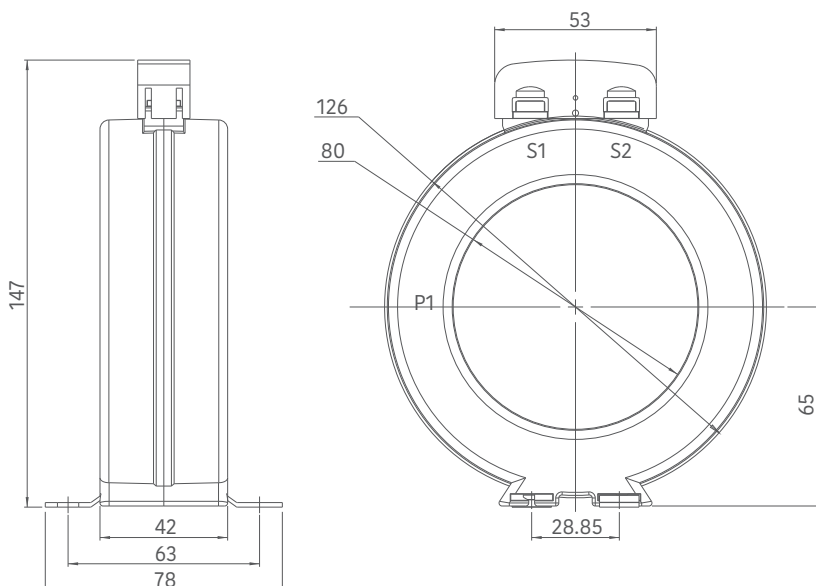


TW CT 105-60(42)



Primary current	TW CT 105-60(42)			
	Accuracy class			
	0.2	0.5s	0.5	1.0
120A	-	-	-	1VA
125A	-	-	-	1.5VA
150A	-	-	1VA	2.5VA
200A	-	1.5VA	2.5VA	5VA
250A	-	2.5VA	3.75VA	7.5VA
300A	-	3.75VA	5VA	10VA
400A	5VA	7.5VA	10VA	20VA
500A	7.5VA	10VA	10VA	25VA
600A	10VA	15VA	15VA	25VA

TW CT 125-80(42)

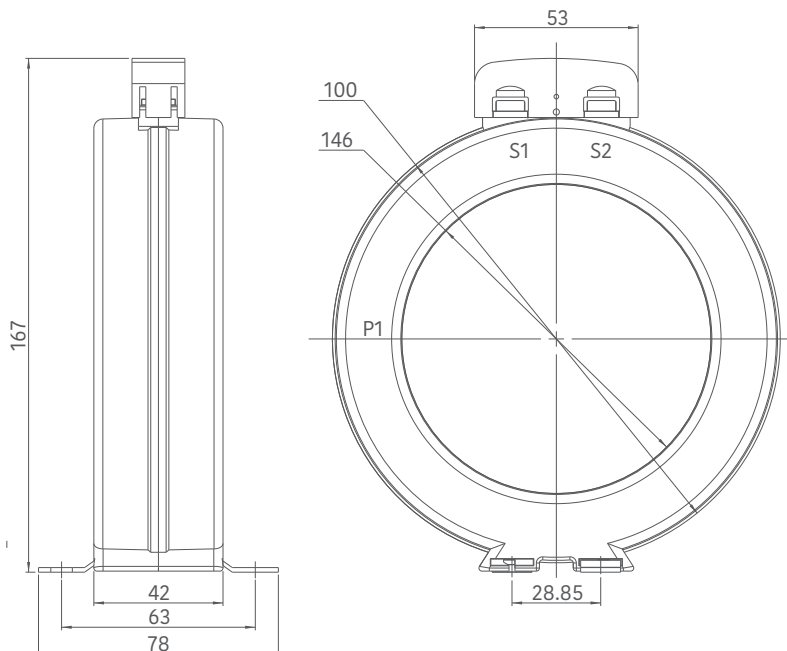


Primary current	TW CT 125-80(42)			
	Accuracy class			
	0.2	0.5s	0.5	1.0
300A	-	-	2.5VA	5VA
400A	2.5VA	5VA	5VA	10VA
500A	3.75VA	5VA	10VA	15VA
600A	5VA	7.5VA	10VA	15VA
800A	7.5VA	10VA	10VA	30VA
1000A	7.5VA	15VA	15VA	30VA
1200A	10VA	15VA	15VA	30VA
1500A	10VA	15VA	15VA	30VA
1600A	10VA	15VA	15VA	30VA
2000A				

Low voltage current transformer

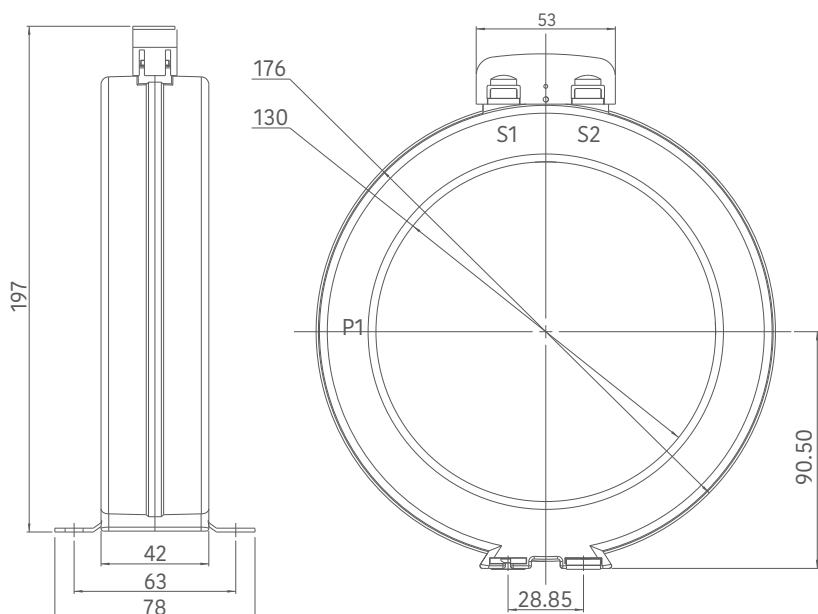


TW CT 145-100(42)



Primary current	TW CT 145-100(42)			
	Accuracy class			
	0.2	0.5s	0.5	1.0
500A	-	-	5VA	7.5VA
600A	1.5VA	3.75VA	5VA	10VA
800A	2.5VA	7.5VA	10VA	15VA
1000A	5VA	7.5VA	10VA	15VA
1200A	10VA	12.5VA	15VA	25VA
1250A	10VA	12.5VA	15VA	25VA
1500A	10VA	12.5VA	15VA	25VA
1600A	10VA	12.5VA	15VA	25VA
2000A	15VA	20VA	25VA	30VA
2500A	15VA	20VA	25VA	30VA
3000A	15VA	25VA	25VA	30VA
3200A	15VA	25VA	25VA	30VA

TW CT 175-130(42)

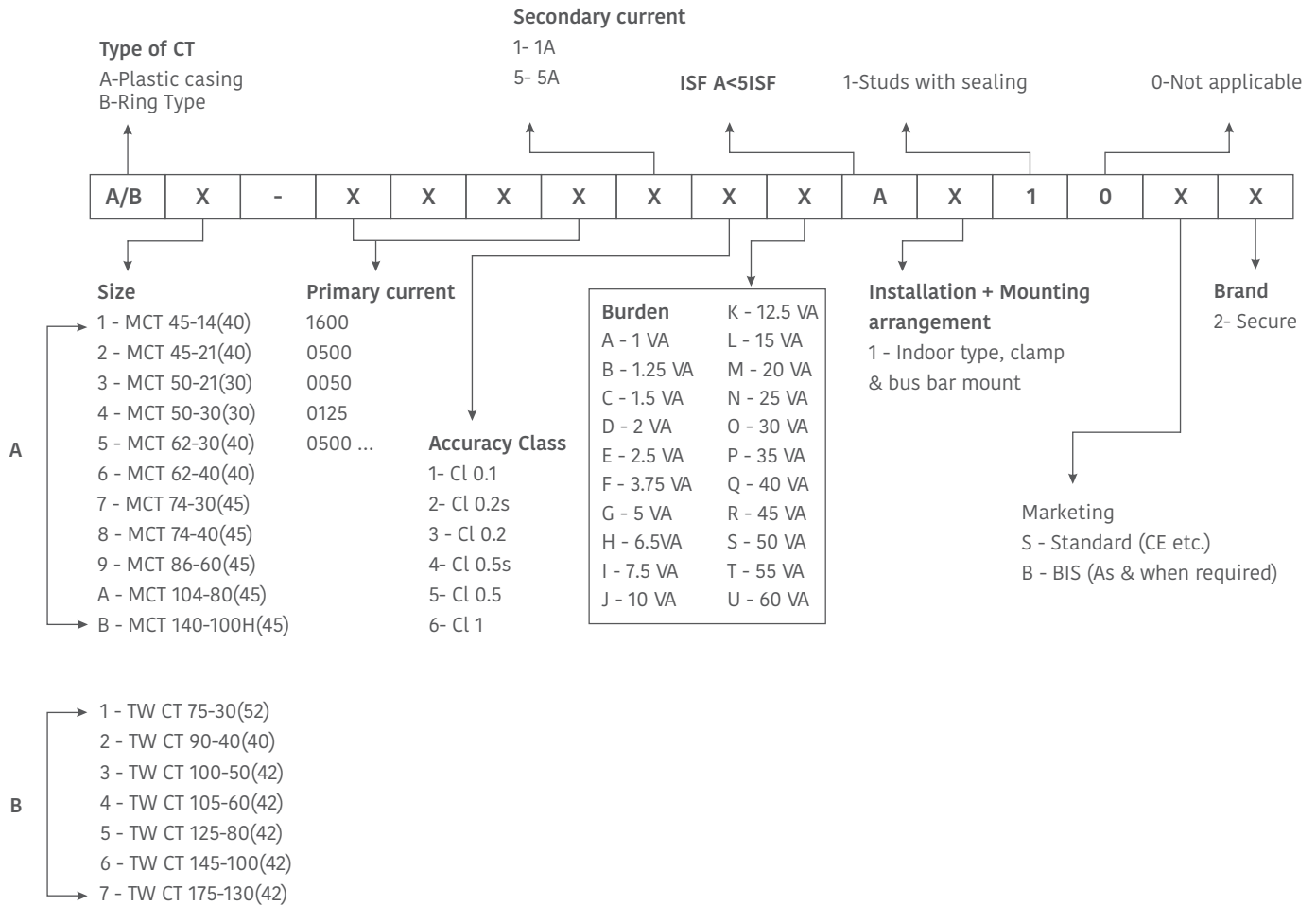


Primary current	TW CT 175-130(42)			
	Accuracy class			
	0.2	0.5s	0.5	1.0
600A	-	2.5VA	5VA	7.5VA
800A	5VA	7.5VA	10VA	15VA
1000A	5VA	7.5VA	10VA	15VA
1200A	5VA	7.5VA	10VA	15VA
1250A	5VA	7.5VA	10VA	15VA
1500A	10VA	12.5VA	15VA	20VA
1600A	10VA	12.5VA	15VA	20VA
2000A	10VA	15VA	20VA	30VA
2500A	12.5VA	15VA	20VA	30VA
3000A	12.5VA	15VA	20VA	30VA
3500A	12.5VA	15VA	20VA	30VA

Low voltage current transformer



Codification for LTCT



Africa
sales_africa@securometers.com

Australia
sales_australia@securometers.com

Europe
sales_eu@securometers.com

India
sales_india@securometers.com

South East Asia, South Asia
sales_sea@securometers.com

UAE
sales_uae@securometers.com

UK
sales_uk@securometers.com

www.securemeters.com